

# TBR923

H.265 5MP at 30fps,  
Up to 60M (196ft) IR Distance,  
12~40mm Motorized Lens,  
Speed of Vehicles 0-200km/h,  
IK10 Vandal Proof, IP67 Weatherproof,  
License Plate Capture Network Camera



- SmartCatch Technology ensures excellent 24/7 performance while producing clear, consistent, and accurate license plate images
- Advanced ambient compensation eliminates headlight glare and minimizes exposed plates for improved ALPR accuracy
- Convenient image adjustment allows configuration for regional plate characteristics
- With LPR mode, the camera is able to isolate high-contrast license plate numbers from the moving vehicles to increase recognition accuracy. By switching to Overview mode, users can not only see license plates clearly, but also monitor the whole area with clear images day and night.
- The camera is specially designed for combating extreme weather conditions.

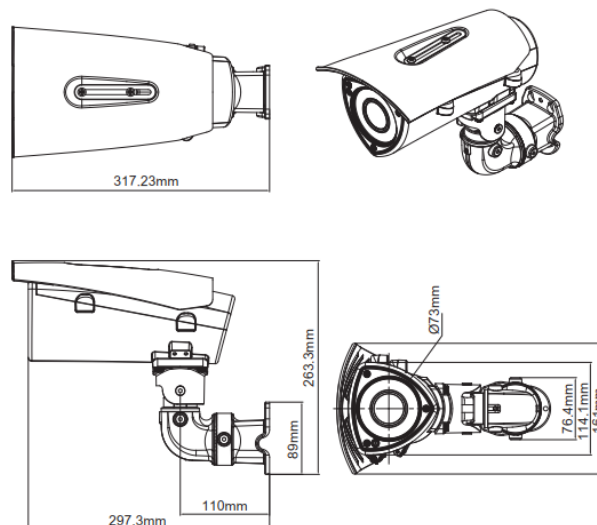
- LPR mode & Overview mode
- Vehicle speed 0-200 km/h or 0-124 mile/h
- 1/1.8" 6MP Sony STARVIS progressive CMOS sensor
- 5-Megapixel Resolution @ 30 fps, support H.265
- 12~40mm Motorized P-iris Lens, F1.8
- IR Illuminator: Up to 60M (196ft) IR Distance
- Smart Filtering Function: Removable IR-cut Filter for Day and Night
- Extreme Wide Dynamic Range (WDR) with Multi Shutters (140dB)
- Easy-to-install Bracket
- Hard Coated Cover with Rain-wash Coating
- Anti-Corrosion Powder Coating
- Sturdy Camera Body from Aluminum Die Casting
- IK10 Vandal Resistant
- IP67 Weatherproof
- Wide Operating Temperature for Extreme Weather Conditions -40°C to 60°C/-40°F to 140°F
- Audio I/O Port, Micro SD Card Slot
- Support ONVIF

<b>Sensor</b>	
Image Sensor	1/1.8" 6MP Sony STARVIS progressive CMOS sensor
Effective Pixels	2592 (H) x 1944 (V)
Minimum Illumination	Color: 0.01 lux.; B/W: 0.0005 lux. @ F1.8
<b>LPR</b>	
License Plate	Reflective , Non-reflective
License Plate Capture Range	5M~50M (16 ~164ft)
Speed of the Vehicle	0~200km/h or 0-124 mile/h *The best testing result is under sufficient lighting condition
SmartCatch™ SoC	<p><b>LPR mode</b></p> <ul style="list-style-type: none"> <li>- High contrast image</li> <li>- Two value converter</li> <li>- Support reflective car plate</li> <li>- Light sensor/ IR LED/ Car Speed adjustable</li> </ul> <p><b>Overview mode</b></p> <ul style="list-style-type: none"> <li>- Support reflective/ non-reflective car plate</li> <li>- 5MP high resolution capture multi-lanes</li> <li>- Light sensor/ IR LED/ Car Speed adjustable</li> <li>- Smart Profile Setting: City Surveillance, Highway, Toll station, Parking Lot</li> </ul>
<b>Lens</b>	
Lens Type	Motorized Lens
Focal Length	12mm~40mm, F1.8
Iris Control	P-Iris
Field of View	14°~43° (D)/ 11°~33° (H)/ 8°~25° (V)
<b>IR</b>	
IR Illuminator	Up to 60M(196ft), 850nm Wavelength
IR control	Smart IR+
<b>Image Setting</b>	
Image Adjustment	Brightness, Contrast, Color Saturation, Sharpness(value adjustment range 0 - 255), Hue Adjustment
Orientation	Mirror(Flip left-to-right/ Flip top-to-bottom)/ Corridor
Privacy Mask	5 Areas
OSD	Text Color: Transparent/ Translucent, Black/ White/ Green/ Yellow Text Overlay: Date/Time, Camera Name, Camera Name+ Date/Time, Custom Text
Wide Dynamic Range	Multi shutter WDR 140dB; Off/ Auto/ Level 1-10
Gain Control	OFF/ Low/ Medium/ High/ User Define(Level 1-512)
White Balance	Auto/ OFF (User Define: RG Gain 0.00-10.00, BG Gain 0.00-10.00 )
Exposure	Auto/ Anti-Flicker 50Hz/ Anti-Flicker 60Hz/ Locked, Value adjustment: range 0 - 255
Shutter Speed	1/7 - 1/20000 sec.
Digital Zoom	1-15x, arrow key
Optical Zoom	Zoom Position: 1-200, Auto Focus, Slider Control
Noise Reduction(Noise Filter)	On/Off (value adjustment range 1 - 11)
P-iris Control	Auto/Manual (value adjustment range 0 - 100)

Day/Night	Auto/ Forced Day/ Force Night/ Switch Schedule
ICR Control	Auto/ Force Day/ Force Night
Defog	Normal: Low/ Medium/ High, LPR/Overview: Level 1-255
Digital Image Stabilization (DIS)	Yes
Bit Rate	64K-8000K
ROI (Region of Interest)	5 Zones , 3 Level: Low /Medium /High
Frame Rate	30fps max
GOP Length	1-120
Smart Streaming	Smart ROI, FPS, GOP
<b>LPR Mode/ Overview Mode Image Setting</b>	
Max Car Speed (miles/h)	0-100
Max Sens Up Gain	1-512
Auto Day/ Night Switch	ON/ OFF
External IR Control	ON/ OFF
Two Value Converter	ON/ OFF, Threshold: 1-255
Defog	1-255
IR Max Power	0-100
<b>Audio</b>	
Audio Streaming	support Full-Duplex; Volume: Low/ Mid/ High
Audio Compression	G.711 8KHZ/ 16bits; U-Law/ A-Law
<b>Video</b>	
Video Compression	H.265/ H.264/ M-JPGE
Video Streaming	Triple Streaming
Video Quality	CBR/ CVBR
Image Resolution/Frame Rate	5MP(2592x1944) @ 30fps, 3MP (2048 x 1532) @30 fps, HD 1080P (1920 x 1080) @ 30fps 720P (1280 x 720), VGA (640 x 480) @30fps, 640x360@ 30fps, QVGA (320 x 240) @ 30 fps
<b>Network</b>	
Interface	10/100/1000 Mbps Ethernet, RJ-45
Protocol	HTTP, TCP/IP, UDP, RTP, RTSP, RTMP, FTP, SNMP, SMTP, DHCP, DNS, DDNS, NTP, UPnP, ONVIF, IPv4/v6, HTTP, HTTPS, SSL,SSH, IEEE802.1x, Firewall, LDAP, GB28181
Security	HTTP encryption/Multi-level user management (15 users)/IP address filtering
Connectivity	ONVIF Profile
DDNS Settings	Support DynDNS/NO-IP/Two-DNS server
Multicast Function	Yes
Browser	Internet Explorer, Chrome, Firefox, Safari
<b>Event Triggers &amp; Actions</b>	
Alarm Detection	On/ Off/ Schedule
Motion Detection	On/ Off/ Schedule, 5 Areas, Sensitivity: range 1-100

Tampering Alarm	On/ Off/ Schedule, Sensitivity: Low/ Medium/ High
Object/ Intrusion Detection	On/ Off/ Schedule Line Counting (One way/ Two way) / Line Crossing (One way/ Two way) / Zone Counting (Inside/ Outside) / Zone Intrusion (Inside / Outside)
Event Trigger	Alarm Detection, Motion Detection, Tampering Alarm, Object Detection, Intrusion Detection
Event Actions	Save Video/Snapshot to SD card (5 seconds pre-recording, 100 seconds post-recording, AVI & JPEG format) File upload stream to FTP Server, HTTP Network Shortage E-mail notification via SMTP Alarm output
<b>General</b>	
Audio I/O	3.5 mm phone jack x1; Line-in, Line-out
Digital I/O	Dlx1, DOx1
Weatherproof	IP67
Vandal Resistant	IK10
Operating Temperature	-40°C to 60°C (-40°F to 140°F)
Humidity	90% RH (No Condensation)
Power Source	PoE+ (IEEE 802.3at), DC 12V/AC 24V terminal block
Power consumption	System on: 18W With heater on: 21.5 W
Dimension	317.23mm (D) x 161mm (W) x 263.3 mm (H) / 12.4"(D) x 6.3"(W) x 10.3"(H)
Weight	3kg
Certification	CE/FCC
Application	SDK available for application development
Micro SD	Micro SDHC support up to 64GB
Ordering Information	TBR923 LPR Camera TBR923-070 (LPR Camera with External IR AIR070) TBR923-150 (LPR Camera with External IR AIR150 )

## Dimension Drawing



Preliminary Version, 2018-05-14 released  
Specifications are subject to change without notice.  
Copyright © DivioTec Inc. 2018.  
All Rights Reserved