

DIVIO^{Tec}™



SmartCatch II



TBR927

LPR/ANPR Capture Network Camera

H.265 5MP at 30fps, Up to 60M (196ft) IR Distance, 5~50mm Motorized P-iris Lens, Capture Speed of Vehicles 0-200km/h (0-124 mile/h), IK10 Vandal Proof, IP67 Weatherproof, License Plate Capture Network Camera



H.265



SD Card



5MP



Scheduling



Smart ICR



-40°C~60°C



IP67



IK10

Products

- ❑ SmartCatch II™ SoC LPR/ANPR Capture Camera
- ❑ Sony 5MP CMOS 1/2.8" Progressive Sensor
- ❑ Support Capture from Vehicle with speed of 0-200 km/h (0-124 mile/h)
- ❑ 5-Megapixel Resolution @ 30 fps, support H.265
- ❑ Support full color view in low light situation
- ❑ 5mm-50mm (0.197inch-1.97 inch) Motorized P-iris Lens, F1.8
- ❑ Built-in IR Illuminator: Up to IR: 60M(196ft); Built-in White LEDs: up to 50M(164ft) Distance
- ❑ Digital lighting sensor with switch on and adjustable lux threshold
- ❑ Extreme Wide Dynamic Range (WDR) with Multi Shutters (140dB)
- ❑ Easy-to-install with 3-Axis bracket
- ❑ Hard Coated Cover with Rain-wash Coating
- ❑ Anti-Corrosion Powder Coating
- ❑ IK10 Vandal Resistant, IP67 Weatherproof
- ❑ Wide Operating Temperature Range from -40°C to 60°C/-40°F to 140°F
- ❑ Alarm-in/-out, Audio-in/-out, Micro SD Card Slot
- ❑ Support ONVIF S, G, T, M

Features

SmartCatch II™ SoC

SmartCatch II SoC is a powerful micro-computing chipset in camera, delivering high-contrast car plates and clear overviews to improve LPR/ANPR software recognition accuracy. In LPR mode, the camera can effectively isolate the high-contrast license plate numbers from moving vehicles, thereby significantly improving the software recognition accuracy. Additionally, in Overview mode, users can not only obtain a clear view of license plates but also monitor the entire area with remarkable image quality, regardless of day or night conditions.



Overview Mode



LPR Mode

TBR927 offers a wide range of focal lengths, ranging from 5mm to 50mm, enabling it to capture subjects within a distance spanning from 5 meters to 50 meters.



Wide View



Tele View

Built-in defogging and heater

Our IP camera comes with a built-in defogging and heater feature on the lens, which enables the camera to capture clear footage even in extreme weather conditions like snow. This advanced feature helps prevent the lens from getting fogged up or covered in snow, ensuring that you get high-quality video feed no matter the weather. So, whether you're monitoring a parking lot or keeping an eye on your property during a winter storm, you can rely on our camera to always provide you with clear and reliable footage.



Heater Feature to prevent lens getting covered by snow.

Specifications

Sensor	
Image Sensor	Sony 5MP CMOS 1/2.8" Progressive Sensor
Effective Pixels	2592 (H) x 1944 (V)
Minimum Illumination	Color 0.005 lux, B/W 0.0005 Lux, F1.8, IR/White illumination on: 0 Lux
LPR	
License Plate	Reflective, Non-reflective
License Plate Capture Range	Suggestion range: 5M-50M (16-164ft)
SmartCatch™ SoC	<p><u>LPR mode</u></p> <ul style="list-style-type: none">- Support reflective.- High contrast image- Two value converter- Light sensor/ IR LED/ Car Speed adjustable <p><u>Overview mode</u></p> <ul style="list-style-type: none">- Support reflective/ non-reflective car plate- 5MP high resolution capture multi-lanes- Light sensor/ IR LEDs/White LEDs/ Car Speed adjustable- Smart Profile Setting: City Surveillance, Highway, Toll station, Parking Lot
Pixel Counter	Yes
Lens	
Focal Length	5mm-50mm P-Iris Motorized Lens, F1.8
Iris type	P-Iris
FOV	Horizontal: 8°~48°, Vertical: 6°~35°, Diagonal: 10°~60°
Built-in IR Illuminator	
Illumination Distance	60M (196ft)
IR Wavelength	850nm
LED Type	IR LED or White LED
IR Control	Smart IR+
Image Setting	
Digital Zoom	1-15x, Arrow Key
Optical Zoom	Zoom Control: 1-200 level, Focus Control (Slider Control): Auto Focus, Micro Adjustment
Image Adjustment	Brightness, Contrast, Saturation, Sharpness, Hue, Rotation, Flip, Day/Night, Anti-flicker, AWB, BLC, Corridor

Digital Image Stabilization (DIS)	Yes
Orientation	Yes
ROI (Region of Interest)	Stream 1/ Stream 2; 5 Zones, Low / Medium /High
Privacy Mask	5 Masks
Overlay (OSD)	Text Position: Top Left/ Top Right/ Bottom Left/ Bottom Right Text Color: Transparent/ Translucent; Black/ White/ Green/ Yellow Text Content: Date/Time, Camera Name, Camera Name+ Date/Time, Custom Text
Exposure	Auto/ Anti-Flicker 50Hz/ Anti-Flicker 60Hz/ Locked, Value Adjustment Range 0 - 255
Iris Control	10%-100%
Shutter Speed	1/7-1/20000 sec.
Gain Control	OFF/ Low/ Medium/ High/ User Define (Value Adjustment Range 1-512)
BLC	Disable / Enable
Overlay (OSD)	OFF, Date/Time, Camera Name, Custom Text, Camera Name+ Date/ Time, Preset, Direction
Wide Dynamic Range (WDR)	140dB; DOL WDR
AWB (Auto White Balance)	Auto/ OFF (RG Gain 0.00-10.00, BG Gain 0.00-10.00)
Defog	Advanced/Overview Mode: Low/ Medium/ High; LPR Mode: Value Adjustment Range 0-255
Noise Reduction (Noise Filter)	On/Off (Level 1 - 11)
Day/Night	True Day / Night (IR only)
Image Profile Control	Force Day/ Force Night/ Auto (Follow Day Night Control)
ICR (IR Cut) Control	Force Day/ Force Night/ Auto (Follow Day Night Control)
IR LED Control	Auto/ Forced Day/ Force Night/ Schedule/ Digital Light Sensor (switch on adjustable lux threshold) Wide IR: OFF/ Auto/ High/ Medium/ Low Tele IR: OFF/ Auto/ High/ Medium/ Low
External Lighting Control	On/ OFF
LPR Mode Image Setting	
Max Car Speed (km/h)	0~200 km/h
Max Sens Up Gain	0-512 level
Auto Day/ Night Switch	ON/ OFF; Schedule/ Digital Light Sensor (switch on adjustable lux threshold)
External Lighting Control	ON/ OFF
Two Value Converter	ON/ OFF, Threshold: 1-255 level
IR LED Intensity	0-100 level
Video and Audio	

Video Compression	H.265 / H.264 / M-JPEG
Video Streaming	Triple streaming
Video Resolution /Frame Rate	2592x1944 @30 fps, 2560x1440 @30 fps, 1920x1080 @30 fps 1280x960 @30fps, 640x480 @30fps, 640x360 @30fps
Video Quality	H.265 / H.264: CBR/ CVBR; MJPEG: Low/ Medium/ High
Video Bit Rate	64-8000 Kbit/s
GOP Length	1-120 level
Smart Streaming	Smart GOP
Audio Streaming	Two-way audio
Audio Compression	G.711 8KHZ/ 16bits
Event Management	
Event Trigger	Alarm Detection, Motion Detection, Tampering Alarm, Object Detection, Intrusion Detection
Event Actions	Save Video/Snapshot to SD card (5 seconds pre-recording, 100 seconds post-recording, AVI & JPEG format) File upload stream to FTP Server, HTTP Network Shortage, E-mail notification via SMTP, Alarm output
Alarm Detection	On/ Off/ Schedule
Motion Detection	On/ Off/ Schedule; 5 Zones, Sensitivity: range 1-100
Tampering Alarm	On/ Off/ Schedule, Sensitivity: Low/ Medium/ High
Video Analytics	Object-Counting (One way/ Two way), Line-Counting (One way/ Two way), Line Intrusion (One way/ Two way), Zone Object-Counting (Inside/ Outside), Zone Intrusion (Inside / Outside)
Network	
Interface	10/100 Mbps Ethernet, RJ-45
Protocol	HTTP, HTTPS, TCP/IP, UDP, RTP, RTSP, RTCP, FTP client, FTP server, SMTP, NFS, DHCP, DNS, DDNS, NTP, uPnP, ONVIF, IPv4/v6, SNMP, SSL, LDAP, 802.1x, BT28181
Security	Multi-level passwords/HTTP encryption
Connectivity	ONVIF Profile S, G, T, M
Browser	Google Chrome (recommended), Firefox, Safari, IE11
Multicast Function	Yes
General	
Operating Temperature	-40°C (-40°F) to +60°C (140°F)
Humidity	90% RH, No Condensation
Digital I/O	Dlx1, DOx1
Waterproof	IP67
Vandal proof	IK10

Dimension	317.23mm (D) x 161mm (W) x 263.3 mm (H) (12.5inch x 6.3inch x 10.4inch)
Net Weight	3kg
Heater	Embedded, support snow-melting heater
Power consumption	25.5 W max
Audio I/O	Line-in, Line-out
Power Input	PoE+ (IEEE 802.3at), DC 12V/AC 24V terminal block
Micro SD	Support Micro SDHC storage
Connectors	3.5mm(0.14inch) phone jack x 2, SD Card slot
Local storage	Support 1x SD card slot
Certification	CE/FCC
Application	API available for application development
Order Information	TBR927: 5MP LPR/ANPR Capture Camera TBR927-W: 5MP LPR/ANPR Capture Camera with White LEDs AMS108: Pole mount adaptor with two steel strap (8.5"), support for 3.5"-8"pole

Accessories

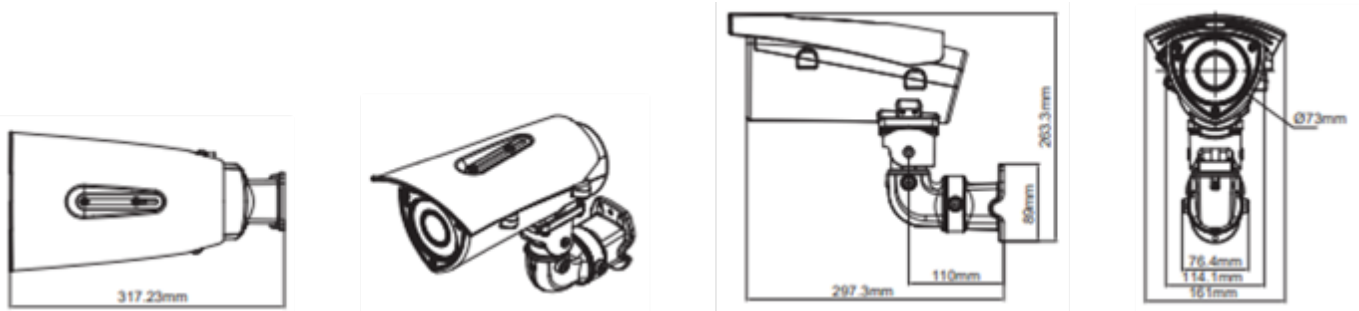
General	AIR080 External illuminator	AIR150 External illuminator
Illumination Distance	80M (262ft)	150M (492ft)
LED Type	6 pieces high power IR LEDs/White LEDs	30pcs 2W dot-matrix IR LEDs/White LEDs
Angle	30°	10°
Wavelength	850nm (IR LEDs) / 560-570nm (White LEDs)	850nm (IR LEDs) / 560-570nm (White LEDs)
Day & Night Switch	Auto by camera photocell sensitivity (10-20 lux) through digital I/O	Auto by camera photocell sensitivity (10-20 lux) through digital I/O
Voltage	PoE IEEE 802.3af	AC110-220V (built-in switching power adaptor)
Power Consumption	12W	37W
Housing	Aluminum die-casting housing	Aluminum die-casting housing
Panel	High light transmittance toughened glass	High light transmittance toughened glass
Mounting	Wall mounting "U" bracket	Wall mounting "U" bracket
Dimension	80*155*51 mm (3.15*6.1*2 inch)	213*210*115 mm (8.4*8.3*4.5 inch)
Weight	0.53 kg	3.3 kg

Operation Temperature	-40°C ~60°C(-40°F~140°F)	-40°C ~60°C (-40°~140°F)
Weather/ Vandal Proof	IP66, IK10	IP66, IK10
Order Information	<p>AIR080-POE: 80M(262ft) External IR LEDs Illuminator</p> <p>AIR080W-POE: 80M(262ft) External White LEDs Illuminator</p> <p>TBR927-080: TBR927 LPR/ANPR IR LEDs camera with 80M(262ft) External IR LEDs Illuminator</p> <p>TBR927-080W: TBR927W LPR/ANPR camera with 80M(262ft) External White LEDs Illuminator</p>	<p>AIR150-POE: 150M(492ft) External IR LEDs Illuminator</p> <p>AIR150W-POE: 150M(492ft) External White LEDs Illuminator</p> <p>TBR927-150: TBR927 LPR/ANPR IR LEDs camera with 150M(492ft) External IR LEDs Illuminator</p> <p>TBR927-150W: TBR927W LPR/ANPR White LEDs camera with 150M(492ft) External White LEDs Illuminator</p>



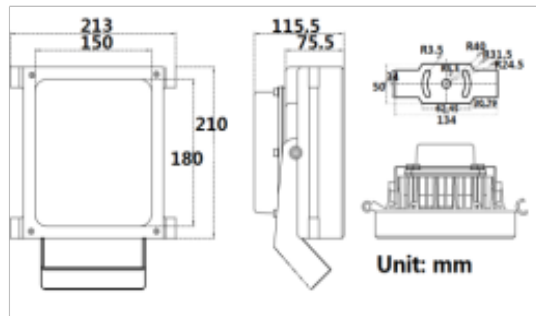
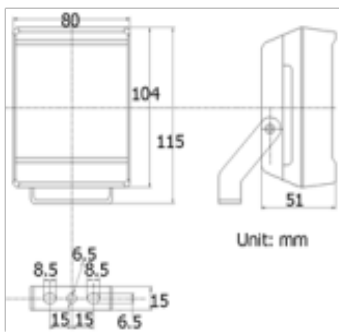
Dimension Drawing

TBR927 LPR/ANPR Network Camera

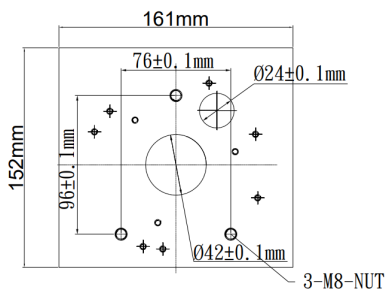


AIR080 External IR/White LED Illuminator

AIR150 External IR/White LED Illuminator



AMS108: Pole mount adaptor with two steel straps



Why DivioTec?

DivioTec's aim is to transcend the capabilities of the human eye and deliver an entirely new field of view. Our integrative skills and our 20 years of industry experience are constantly driving new innovations.

Our simple, easy-to-use interfaces and our rock-solid security hardware rapidly earning the respect and confidence of our clients.

We also make a point of listening carefully to our customers' needs, applying what we learn to develop outstanding new products and a culture of exceptional service.

At DivioTec, our experience is your protection.

DIVIO^{Tec}_{TM}

2024-04-29 released.

Specifications are subject to change without notice.

Copyright©DivioTec Inc. 2023.

All Rights Reserved